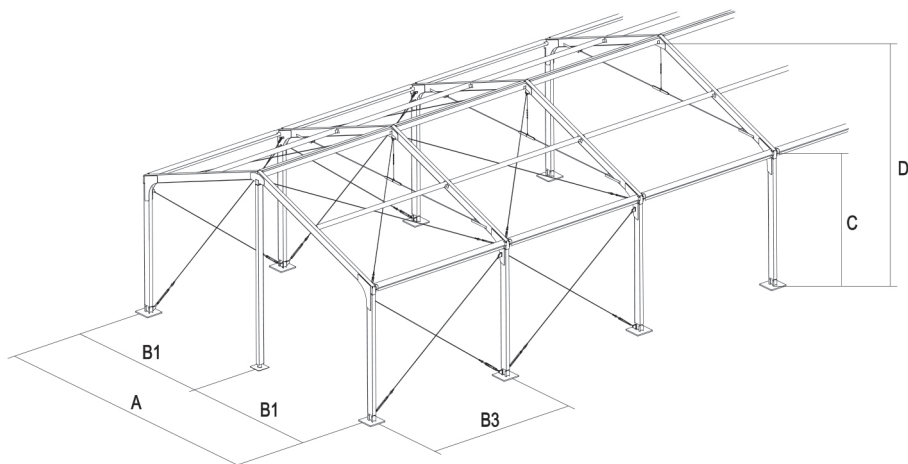


Induflex Lightweight Hall Type 10/420



LOSBERGER DE BOER



System measures

Width	(A)	10,13 m
Eave height	(C)	4,20 m
Ridge height	(D)	6,04 m
Gable truss	(B1)	5,06 m
Truss distance	(B3)	5,00 m
Roof slope		20 °
longest component		5,79 m
truss profile		250 x 120 mm

Technical description

Aluminium profiles	solid hard pressed 4-groove aluminium hollow profile
Steel parts	hot-dip galvanized to DIN EN ISO 1461
Ground Anchoring	Ground stakes or weight anchoring upon request

Load requirements

Wind load	EC / WZ 2
Min. length	10,00 m
Max length	unlimited in truss distance
Snow load (SL)	1,05 KN / qm
Snow load (SK)	1,31 KN / qm

Induflex Configurations

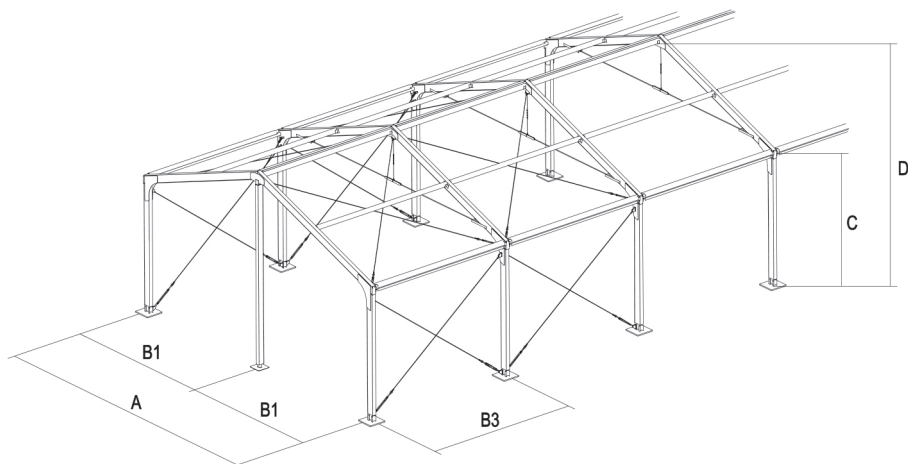
The Induflex can be delivered with different levels of insulation.

- **Non-insulated hall:** e.g. for storage purposes. This version is equipped with a **PVC roof**, or a **trapezoidal metal sheet roof** and a **trapezoidal metal sheet wall**.
- **Partly insulated:** equipped with a double layer PVC roof and sandwich panel wall. This configuration prevents condensation and keeps temperatures above freezing.
- **Fully insulated hall:** e.g. for a permanent working space with EnEV conformity we offer a solution, with insulating sandwich panels up to 200 mm in the roof and in the wall.

Induflex Lightweight Hall Type 10/520



LOSBERGER DE BOER



System measures

Width	(A)	10,18 m
Eave height	(C)	5,20 m
Ridge height	(D)	6,86 m
Gable truss	(B1)	5,09 m
Truss distance	(B3)	5,00 m
Roof slope		18 °
longest component		5,61 m
truss profile		300 x 120 mm

Technical description

Aluminium profiles	solid hard pressed 4-groove aluminium hollow profile
Steel parts	hot-dip galvanized to DIN EN ISO 1461
Ground Anchoring	Ground stakes or weight anchoring upon request

Load requirements

Wind load	EC / WZ 2
Min. length	10,00 m
Max length	unlimited in truss distance
Snow load (SL)	1,05 KN / qm
Snow load (SK)	1,31 KN / qm

Induflex Configurations

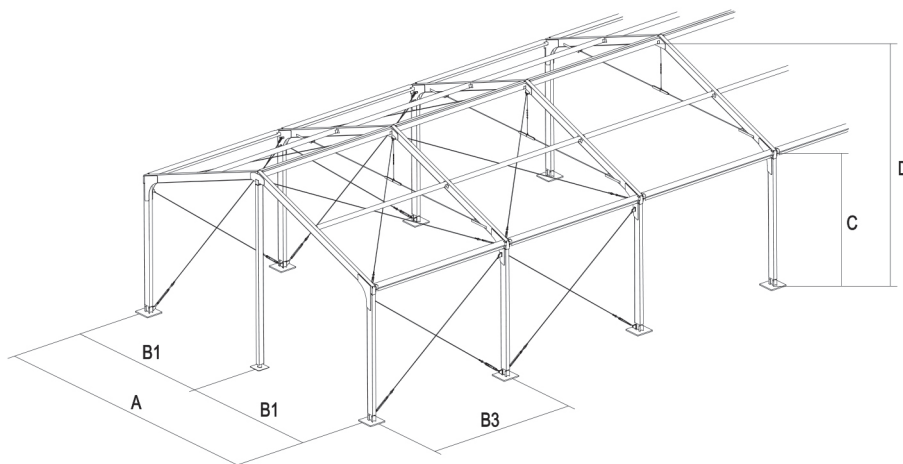
The Induflex can be delivered with different levels of insulation.

- **Non-insulated hall:** e.g. for storage purposes. This version is equipped with a **PVC roof**, or a **trapezoidal metal sheet roof** and a **trapezoidal metal sheet wall**.
- **Partly insulated:** equipped with a double layer PVC roof and sandwich panel wall. This configuration prevents condensation and keeps temperatures above freezing.
- **Fully insulated hall:** e.g. for a permanent working space with EnEV conformity we offer a solution, with insulating sandwich panels up to 200 mm in the roof and in the wall.

Induflex Lightweight Hall Type 10/620



LOSBERGER DE BOER



System measures

Width	(A)	10,18 m
Eave height	(C)	6,20 m
Ridge height	(D)	7,86 m
Gable truss	(B1)	5,09 m
Truss distance	(B3)	5,00 m
Roof slope		18 °
longest component		5,61 m
truss profile		300 x 120 mm

Technical description

Aluminium profiles	solid hard pressed 4-groove aluminium hollow profile
Steel parts	hot-dip galvanized to DIN EN ISO 1461
Ground Anchoring	Ground stakes or weight anchoring upon request

Load requirements

Wind load	EC / WZ 2
Min. length	10,00 m
Max length	unlimited in truss distance
Snow load (SL)	1,05 KN / qm
Snow load (SK)	1,31 KN / qm

Induflex Configurations

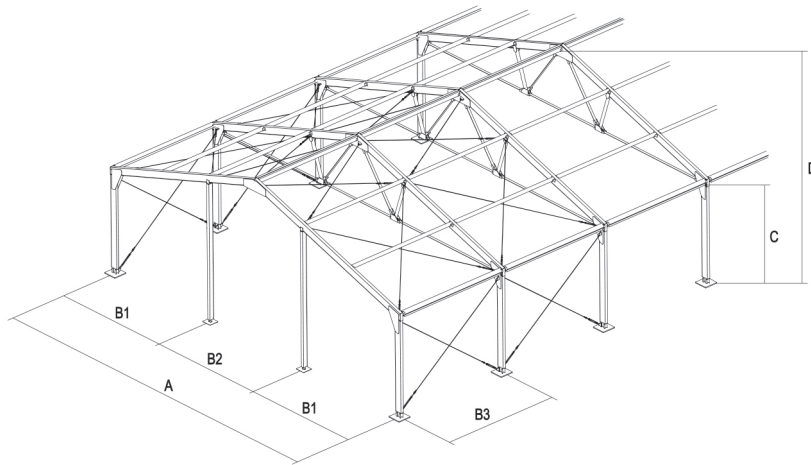
The Induflex can be delivered with different levels of insulation.

- **Non-insulated hall:** e.g. for storage purposes. This version is equipped with a **PVC roof**, or a **trapezoidal metal sheet roof** and a **trapezoidal metal sheet wall**.
- **Partly insulated:** equipped with a double layer PVC roof and sandwich panel wall. This configuration prevents condensation and keeps temperatures above freezing.
- **Fully insulated hall:** e.g. for a permanent working space with EnEV conformity we offer a solution, with insulating sandwich panels up to 200 mm in the roof and in the wall.

Induflex Lightweight Hall Type 15/420



LOSBERGER DE BOER



System measures

Width	(A)	15,18 m
Eave height	(C)	4,20 m
Ridge height	(D)	6,67 m
Gable truss	(B1)	5,09 m
Gable truss	(B2)	5,00 m
Truss distance	(B3)	5,00 m
Roof slope		18 °
longest component		8,24 m
truss profile		300 x 120 mm

Technical description

Aluminium profiles	solid hard pressed 4-groove aluminium hollow profile
Steel parts	hot-dip galvanized to DIN EN ISO 1461
Ground Anchoring	Ground stakes or weight anchoring upon request

Load requirements

Wind load	EC / WZ 2
Min. length	10,00 m
Max length	unlimited in truss distance
Snow load (SL)	1,05 KN / qm
Snow load (SK)	1,31 KN / qm

Induflex Configurations

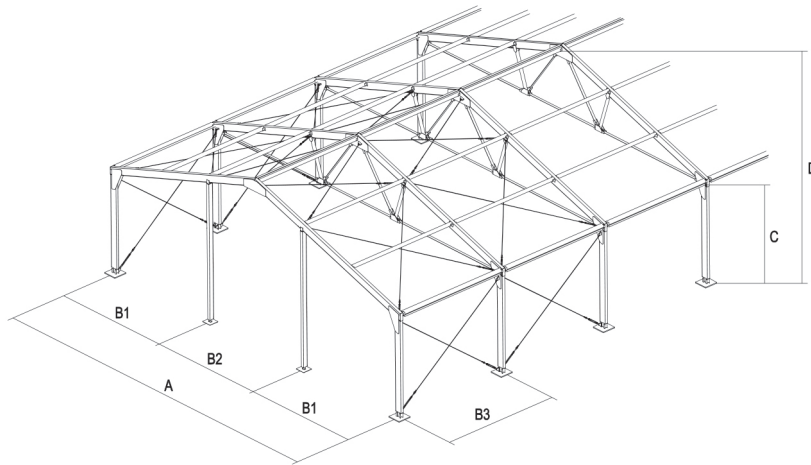
The Induflex can be delivered with different levels of insulation.

- **Non-insulated hall:** e.g. for storage purposes. This version is equipped with a **PVC roof**, or a **trapezoidal metal sheet roof** and a **trapezoidal metal sheet wall**.
- **Partly insulated:** equipped with a double layer PVC roof and sandwich panel wall. This configuration prevents condensation and keeps temperatures above freezing.
- **Fully insulated hall:** e.g. for a permanent working space with EnEV conformity we offer a solution, with insulating sandwich panels up to 200 mm in the roof and in the wall.

Induflex Lightweight Hall Type 15/520



LOSBERGER DE BOER



System measures

Width	(A)	15,18 m
Eave height	(C)	5,20 m
Ridge height	(D)	7,67 m
Gable truss	(B1)	5,09 m
Gable truss	(B2)	5,00 m
Truss distance	(B3)	5,00 m
Roof slope		18 °
longest component		8,24 m
truss profile		300 x 120 mm

Technical description

Aluminium profiles	solid hard pressed 4-groove aluminium hollow profile
Steel parts	hot-dip galvanized to DIN EN ISO 1461
Ground Anchoring	Ground stakes or weight anchoring upon request

Load requirements

Wind load	EC / WZ 2
Min. length	10,00 m
Max length	unlimited in truss distance
Snow load (SL)	1,05 KN / qm
Snow load (SK)	1,31 KN / qm

Induflex Configurations

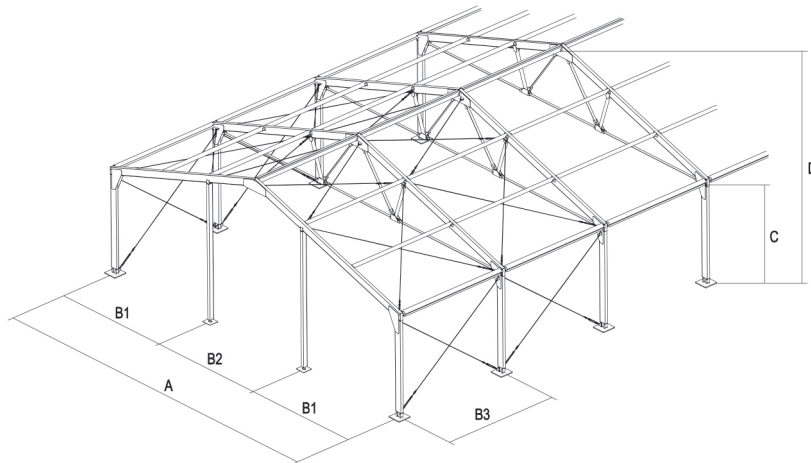
The Induflex can be delivered with different levels of insulation.

- **Non-insulated hall:** e.g. for storage purposes. This version is equipped with a **PVC roof**, or a **trapezoidal metal sheet roof** and a **trapezoidal metal sheet wall**.
- **Partly insulated:** equipped with a double layer PVC roof and sandwich panel wall. This configuration prevents condensation and keeps temperatures above freezing.
- **Fully insulated hall:** e.g. for a permanent working space with EnEV conformity we offer a solution, with insulating sandwich panels up to 200 mm in the roof and in the wall.

Induflex Lightweight Hall Type 15/620



LOSBERGER DE BOER



System measures

Width	(A)	15,18 m
Eave height	(C)	6,20 m
Ridge height	(D)	8,67 m
Gable truss	(B1)	5,09 m
Gable truss	(B2)	5,00 m
Truss distance	(B3)	5,00 m
Roof slope		18 °
longest component		8,24 m
truss profile		334 x 122 mm

Technical description

Aluminium profiles	solid hard pressed 4-groove aluminium hollow profile
Steel parts	hot-dip galvanized to DIN EN ISO 1461
Ground Anchoring	Ground stakes or weight anchoring upon request

Load requirements

Wind load	EC / WZ 2
Min. length	10,00 m
Max length	unlimited in truss distance
Snow load (SL)	1,05 KN / qm
Snow load (SK)	1,31 KN / qm

Induflex Configurations

The Induflex can be delivered with different levels of insulation.

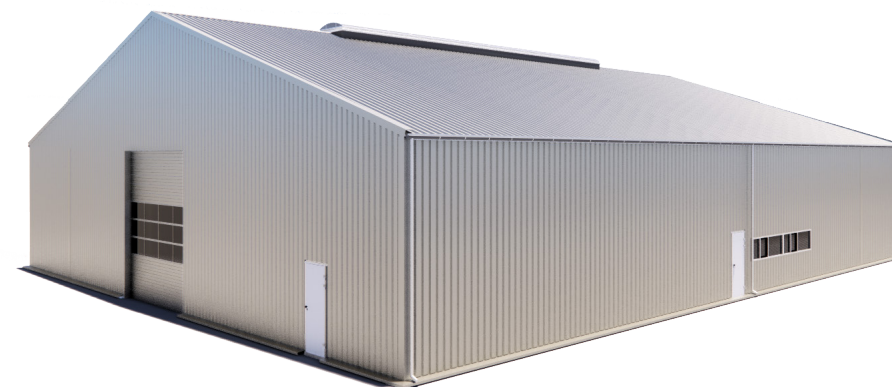
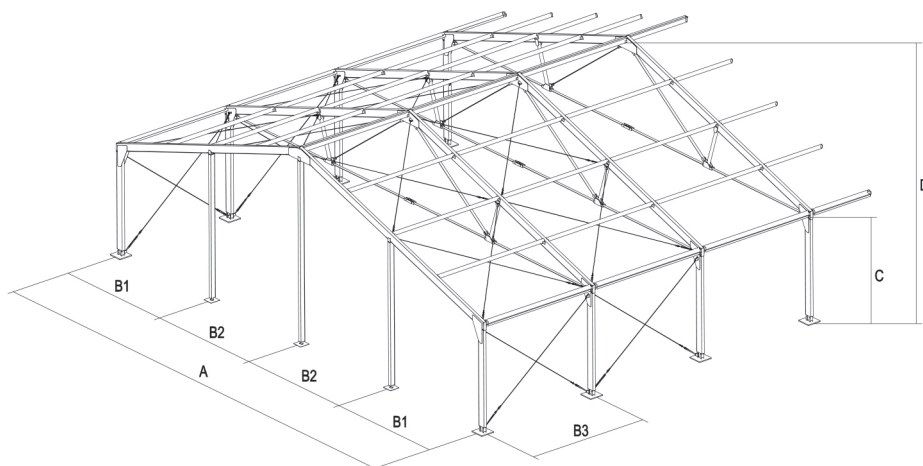
- **Non-insulated hall:** e.g. for storage purposes. This version is equipped with a **PVC roof**, or a **trapezoidal metal sheet roof** and a **trapezoidal metal sheet wall**.
- **Partly insulated:** equipped with a double layer PVC roof and sandwich panel wall. This configuration prevents condensation and keeps temperatures above freezing.
- **Fully insulated hall:** e.g. for a permanent working space with EnEV conformity we offer a solution, with insulating sandwich panels up to 200 mm in the roof and in the wall.

Induflex Lightweight Hall

Type 20/420



LOSBERGER DE BOER



System measures

Width	(A)	20,18 m
Eave height	(C)	4,20 m
Ridge height	(D)	7,48 m
Gable truss	(B1)	5,09 m
Gable truss	(B2)	5,00 m
Truss distance	(B3)	5,00 m
Roof slope		18 °
longest component		10,86 m
truss profile		300 x 120 mm

Technical description

Aluminium profiles	solid hard pressed 4-groove aluminium hollow profile
Steel parts	hot-dip galvanized to DIN EN ISO 1461
Ground Anchoring	Ground stakes or weight anchoring upon request

Load requirements

Wind load	EC / WZ 2
Min. length	10,00 m
Max length	unlimited in truss distance
Snow load (SL)	1,05 KN / qm
Snow load (SK)	1,31 KN / qm

Induflex Configurations

The Induflex can be delivered with different levels of insulation.

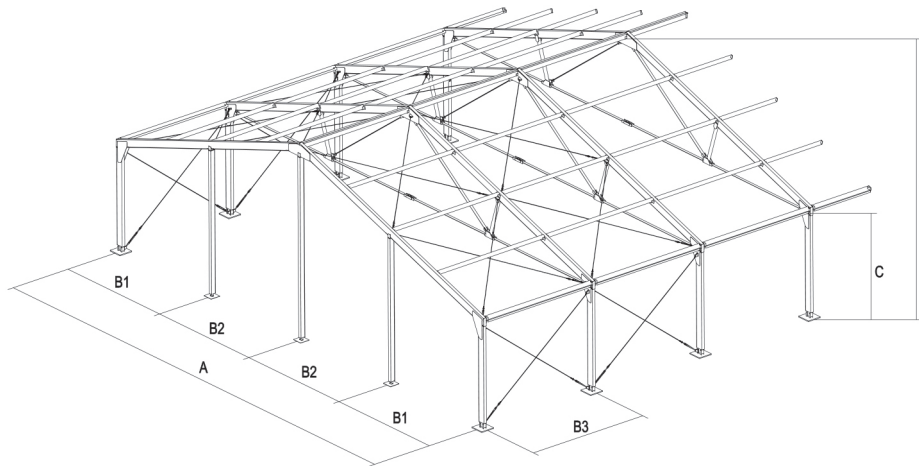
- **Non-insulated hall:** e.g. for storage purposes. This version is equipped with a **PVC roof**, or a **trapezoidal metal sheet roof** and a **trapezoidal metal sheet wall**.
- **Partly insulated:** equipped with a double layer PVC roof and sandwich panel wall. This configuration prevents condensation and keeps temperatures above freezing.
- **Fully insulated hall:** e.g. for a permanent working space with EnEV conformity we offer a solution, with insulating sandwich panels up to 200 mm in the roof and in the wall.

Induflex Lightweight Hall

Type 20/520



LOSBERGER DE BOER



System measures

Width	(A)	20,18 m
Eave height	(C)	5,20 m
Ridge height	(D)	8,48 m
Gable truss	(B1)	5,09 m
Gable truss	(B2)	5,00 m
Truss distance	(B3)	5,00 m
Roof slope		18 °
longest component		10,86 m
truss profile		300 x 120 mm

Technical description

Aluminium profiles	solid hard pressed 4-groove aluminium hollow profile
Steel parts	hot-dip galvanized to DIN EN ISO 1461
Ground Anchoring	Ground stakes or weight anchoring upon request

Load requirements

Wind load	EC / WZ 2
Min. length	10,00 m
Max length	unlimited in truss distance
Snow load (SL)	1,05 KN / qm
Snow load (SK)	1,31 KN / qm

Induflex Configurations

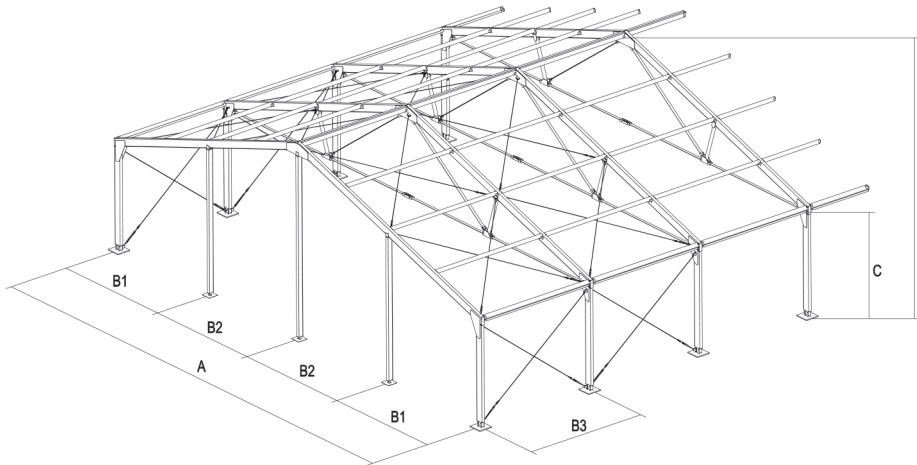
The Induflex can be delivered with different levels of insulation.

- **Non-insulated hall:** e.g. for storage purposes. This version is equipped with a **PVC roof**, or a **trapezoidal metal sheet roof** and a **trapezoidal metal sheet wall**.
- **Partly insulated:** equipped with a double layer PVC roof and sandwich panel wall. This configuration prevents condensation and keeps temperatures above freezing.
- **Fully insulated hall:** e.g. for a permanent working space with EnEV conformity we offer a solution, with insulating sandwich panels up to 200 mm in the roof and in the wall.

Induflex Lightweight Hall Type 20/620



LOSBERGER DE BOER



System measures

Width	(A)	20,18 m
Eave height	(C)	6,20 m
Ridge height	(D)	9,48 m
Gable truss	(B1)	5,09 m
Gable truss	(B2)	5,00 m
Truss distance	(B3)	5,00 m
Roof slope		18 °
longest component		10,86 m
truss profile		334 x 122 mm

Technical description

Aluminium profiles	solid hard pressed 4-groove aluminium hollow profile
Steel parts	hot-dip galvanized to DIN EN ISO 1461
Ground Anchoring	Ground stakes or weight anchoring upon request

Load requirements

Wind load	EC / WZ 2
Min. length	10,00 m
Max length	unlimited in truss distance
Snow load (SL)	1,05 KN / qm
Snow load (SK)	1,31 KN / qm

Induflex Configurations

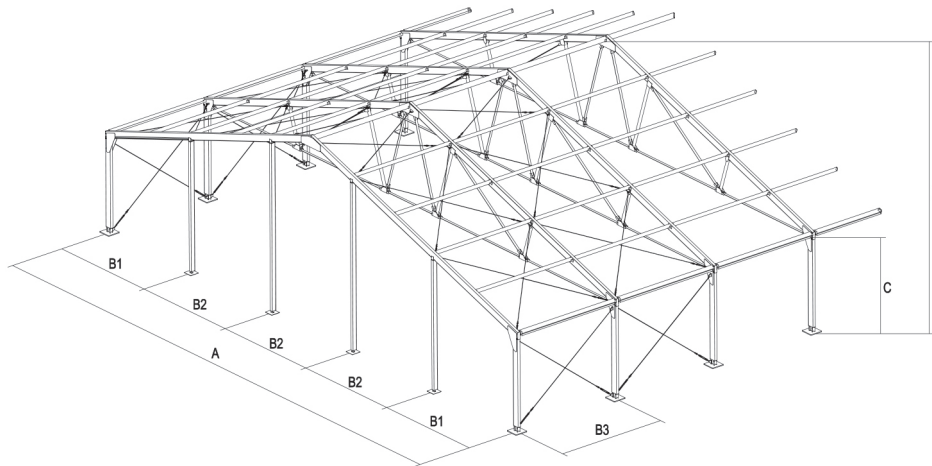
The Induflex can be delivered with different levels of insulation.

- **Non-insulated hall:** e.g. for storage purposes. This version is equipped with a **PVC roof**, or a **trapezoidal metal sheet roof** and a **trapezoidal metal sheet wall**.
- **Partly insulated:** equipped with a double layer PVC roof and sandwich panel wall. This configuration prevents condensation and keeps temperatures above freezing.
- **Fully insulated hall:** e.g. for a permanent working space with EnEV conformity we offer a solution, with insulating sandwich panels up to 200 mm in the roof and in the wall.

Induflex Lightweight Hall Type 25/420



LOSBERGER DE BOER



System measures

Width	(A)	25,18 m
Eave height	(C)	4,20 m
Ridge height	(D)	8,29 m
Gable truss	(B1)	5,09 m
Gable truss	(B2)	5,00 m
Truss distance	(B3)	5,00 m
Roof slope		18 °
longest component		13,49 m
truss profile		300 x 120 mm

Technical description

Aluminium profiles	solid hard pressed 4-groove aluminium hollow profile
Steel parts	hot-dip galvanized to DIN EN ISO 1461
Ground Anchoring	Ground stakes or weight anchoring upon request

Load requirements

Wind load	EC / WZ 2
Min. length	20,00 m
Max length	unlimited in truss distance
Snow load (SL)	1,05 KN / qm
Snow load (SK)	1,31 KN / qm

Induflex Configurations

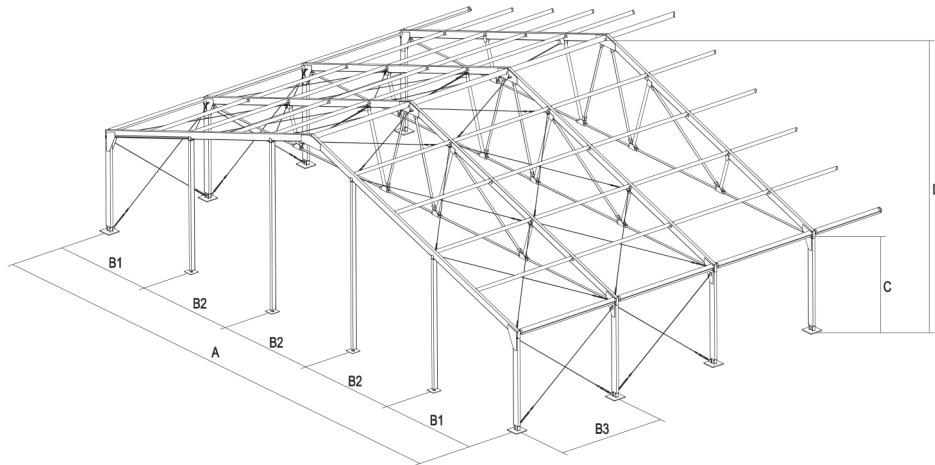
The Induflex can be delivered with different levels of insulation.

- **Non-insulated hall:** e.g. for storage purposes. This version is equipped with a **PVC roof**, or a **trapezoidal metal sheet roof** and a **trapezoidal metal sheet wall**.
- **Partly insulated:** equipped with a double layer PVC roof and sandwich panel wall. This configuration prevents condensation and keeps temperatures above freezing.
- **Fully insulated hall:** e.g. for a permanent working space with EnEV conformity we offer a solution, with insulating sandwich panels up to 200 mm in the roof and in the wall.

Induflex Lightweight Hall Type 25/520



LOSBERGER DE BOER



System measures

Width	(A)	25,18 m
Eave height	(C)	5,20 m
Ridge height	(D)	9,29 m
Gable truss	(B1)	5,09 m
Gable truss	(B2)	5,00 m
Truss distance	(B3)	5,00 m
Roof slope		18 °
longest component		13,49 m
truss profile		300 x 120 mm

Technical description

Aluminium profiles	solid hard pressed 4-groove aluminium hollow profile
Steel parts	hot-dip galvanized to DIN EN ISO 1461
Ground Anchoring	Ground stakes or weight anchoring upon request

Load requirements

Wind load	EC / WZ 2
Min. length	20,00 m
Max length	unlimited in truss distance
Snow load (SL)	1,05 KN / qm
Snow load (SK)	1,31 KN / qm

Induflex Configurations

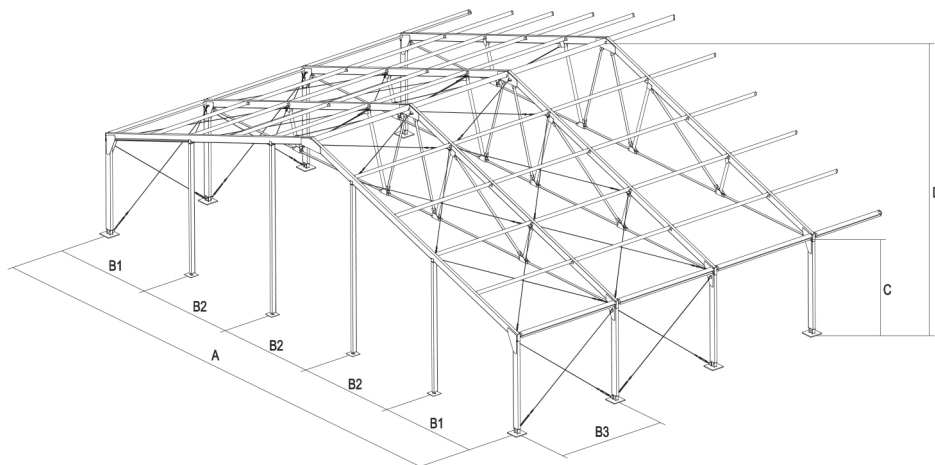
The Induflex can be delivered with different levels of insulation.

- **Non-insulated hall:** e.g. for storage purposes. This version is equipped with a **PVC roof**, or a **trapezoidal metal sheet roof** and a **trapezoidal metal sheet wall**.
- **Partly insulated:** equipped with a double layer PVC roof and sandwich panel wall. This configuration prevents condensation and keeps temperatures above freezing.
- **Fully insulated hall:** e.g. for a permanent working space with EnEV conformity we offer a solution, with insulating sandwich panels up to 200 mm in the roof and in the wall.

Induflex Lightweight Hall Type 25/620



LOSBERGER DE BOER



System measures

Width	(A)	25,18 m
Eave height	(C)	6,20 m
Ridge height	(D)	10,29 m
Gable truss	(B1)	5,09 m
Gable truss	(B2)	5,00 m
Truss distance	(B3)	5,00 m
Roof slope		18 °
longest component		13,49 m
truss profile		334 x 122 mm

Technical description

Aluminium profiles	solid hard pressed 4-groove aluminium hollow profile
Steel parts	hot-dip galvanized to DIN EN ISO 1461
Ground Anchoring	Ground stakes or weight anchoring upon request

Load requirements

Wind load	EC / WZ 2
Min. length	20,00 m
Max length	unlimited in truss distance
Snow load (SL)	1,05 KN / qm
Snow load (SK)	1,31 KN / qm

Induflex Configurations

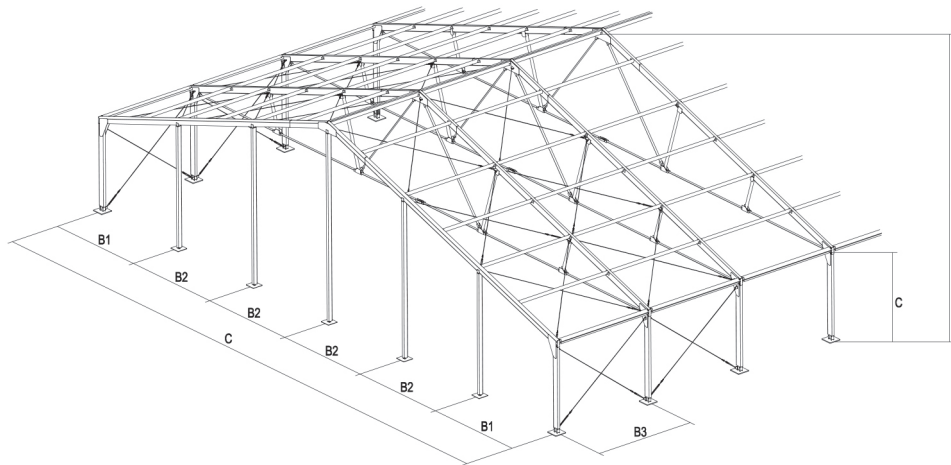
The Induflex can be delivered with different levels of insulation.

- **Non-insulated hall:** e.g. for storage purposes. This version is equipped with a **PVC roof**, or a **trapezoidal metal sheet roof** and a **trapezoidal metal sheet wall**.
- **Partly insulated:** equipped with a double layer PVC roof and sandwich panel wall. This configuration prevents condensation and keeps temperatures above freezing.
- **Fully insulated hall:** e.g. for a permanent working space with EnEV conformity we offer a solution, with insulating sandwich panels up to 200 mm in the roof and in the wall.

Induflex Lightweight Hall Type 30/420



LOSBERGER DE BOER



System measures

Width	(A)	30,18 m
Eave height	(C)	4,20 m
Ridge height	(D)	9,10 m
Gable truss	(B1)	5,03 m
Gable truss	(B2)	5,03 m
Truss distance	(B3)	5,00 m
Roof slope		18 °
longest component		10,86 m
truss profile		300 x 120 mm

Technical description

Aluminium profiles	solid hard pressed 4-groove aluminium hollow profile
Steel parts	hot-dip galvanized to DIN EN ISO 1461
Ground Anchoring	Ground stakes or weight anchoring upon request

Load requirements

Wind load	EC / WZ 2
Min. length	20,00 m
Max length	unlimited in truss distance
Snow load (SL)	1,05 KN / qm
Snow load (SK)	1,31 KN / qm

Induflex Configurations

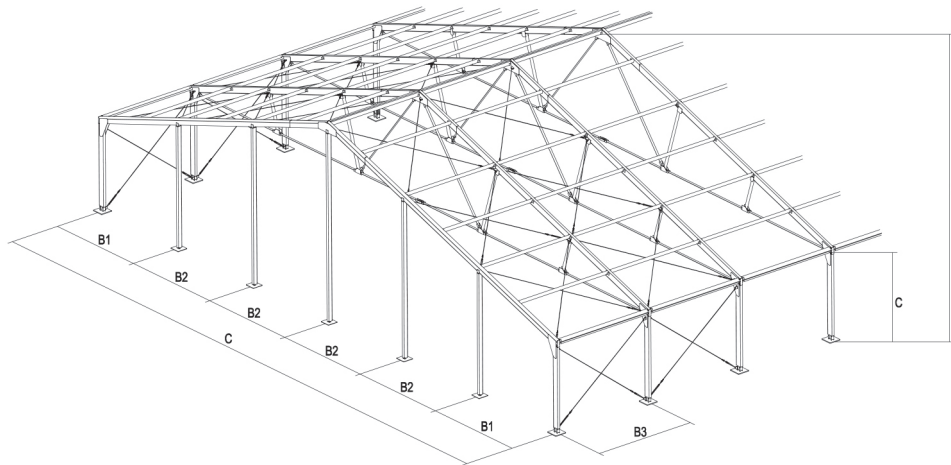
The Induflex can be delivered with different levels of insulation.

- **Non-insulated hall:** e.g. for storage purposes. This version is equipped with a **PVC roof**, or a **trapezoidal metal sheet roof** and a **trapezoidal metal sheet wall**.
- **Partly insulated:** equipped with a double layer PVC roof and sandwich panel wall. This configuration prevents condensation and keeps temperatures above freezing.
- **Fully insulated hall:** e.g. for a permanent working space with EnEV conformity we offer a solution, with insulating sandwich panels up to 200 mm in the roof and in the wall.

Induflex Lightweight Hall Type 30/520



LOSBERGER DE BOER



System measures

Width	(A)	30,18 m
Eave height	(C)	5,20 m
Ridge height	(D)	10,10 m
Gable truss	(B1)	5,03 m
Gable truss	(B2)	5,03 m
Truss distance	(B3)	5,00 m
Roof slope		18 °
longest component		10,86 m
truss profile		334 x 122 mm

Technical description

Aluminium profiles	solid hard pressed 4-groove aluminium hollow profile
Steel parts	hot-dip galvanized to DIN EN ISO 1461
Ground Anchoring	Ground stakes or weight anchoring upon request

Load requirements

Wind load	EC / WZ 2
Min. length	20,00 m
Max length	unlimited in truss distance
Snow load (SL)	1,05 KN / qm
Snow load (SK)	1,31 KN / qm

Induflex Configurations

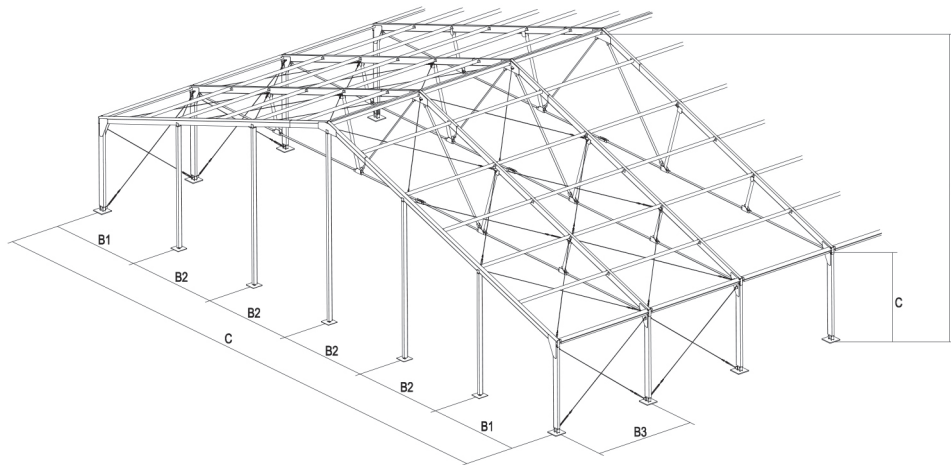
The Induflex can be delivered with different levels of insulation.

- **Non-insulated hall:** e.g. for storage purposes. This version is equipped with a **PVC roof**, or a **trapezoidal metal sheet roof** and a **trapezoidal metal sheet wall**.
- **Partly insulated:** equipped with a double layer PVC roof and sandwich panel wall. This configuration prevents condensation and keeps temperatures above freezing.
- **Fully insulated hall:** e.g. for a permanent working space with EnEV conformity we offer a solution, with insulating sandwich panels up to 200 mm in the roof and in the wall.

Induflex Lightweight Hall Type 30/620



LOSBERGER DE BOER



System measures

Width	(A)	30,18 m
Eave height	(C)	6,20 m
Ridge height	(D)	11,10 m
Gable truss	(B1)	5,03 m
Gable truss	(B2)	5,03 m
Truss distance	(B3)	4,00 m
Roof slope		18 °
longest component		10,86 m
truss profile		334 x 122 mm

Technical description

Aluminium profiles	solid hard pressed 4-groove aluminium hollow profile
Steel parts	hot-dip galvanized to DIN EN ISO 1461
Ground Anchoring	Ground stakes or weight anchoring upon request

Load requirements

Wind load	EC / WZ 2
Min. length	20,00 m
Max length	unlimited in truss distance
Snow load (SL)	1,05 KN / qm
Snow load (SK)	1,31 KN / qm

Induflex Configurations

The Induflex can be delivered with different levels of insulation.

- **Non-insulated hall:** e.g. for storage purposes. This version is equipped with a **PVC roof**, or a **trapezoidal metal sheet roof** and a **trapezoidal metal sheet wall**.
- **Partly insulated:** equipped with a double layer PVC roof and sandwich panel wall. This configuration prevents condensation and keeps temperatures above freezing.
- **Fully insulated hall:** e.g. for a permanent working space with EnEV conformity we offer a solution, with insulating sandwich panels up to 200 mm in the roof and in the wall.